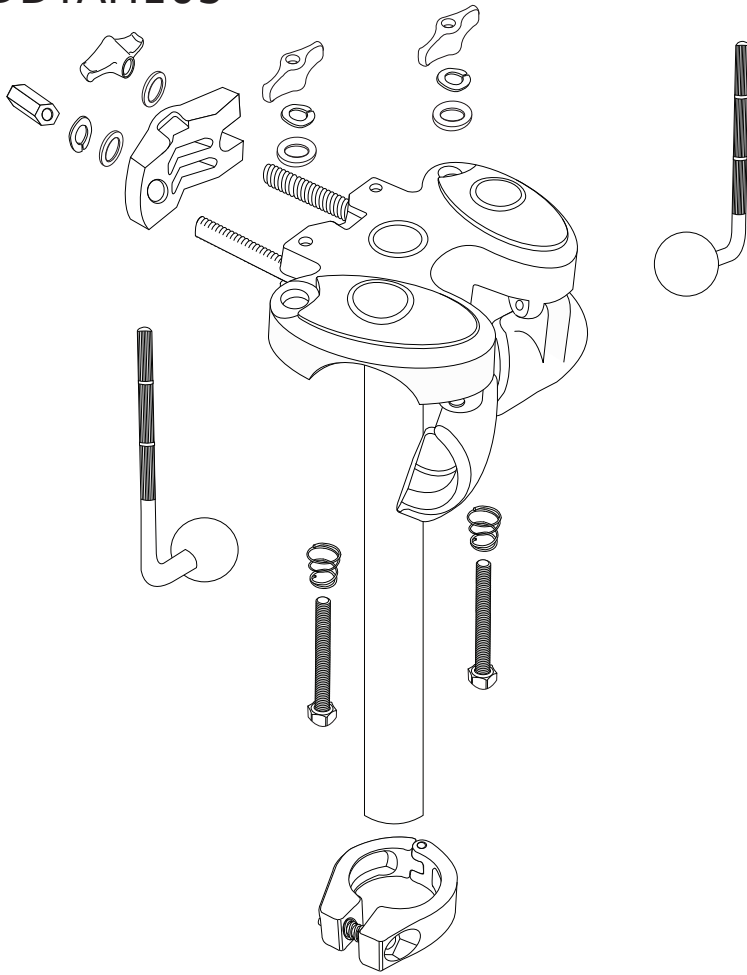
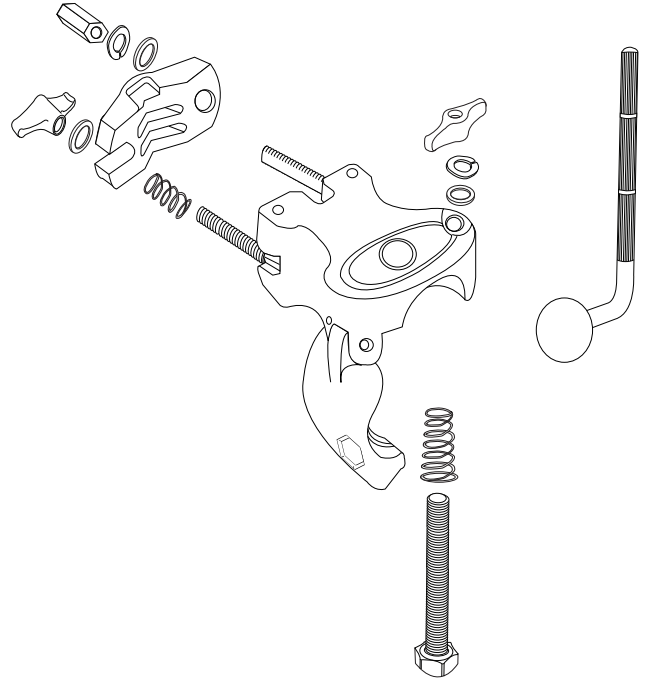


PDP Bass Drum Mount

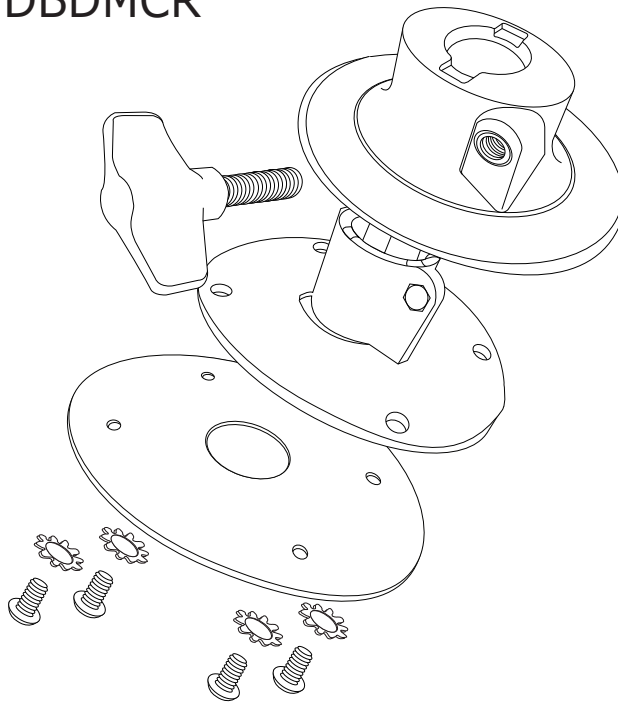
PDDTAH105



PDAC991



PDBDMCR



PDP Bass Drum Mount

Part Number	Description
-------------	-------------

PDBMCR	PDP BASS DRUM MOUNT ONLY CHR - NO POST
PDDTAH105	PDP CX/LX/MX BASS DRUM TOM POST AND ARMS
PDAC991	PACIFIC SINGLE TOM CLAMP 10.5 MM

